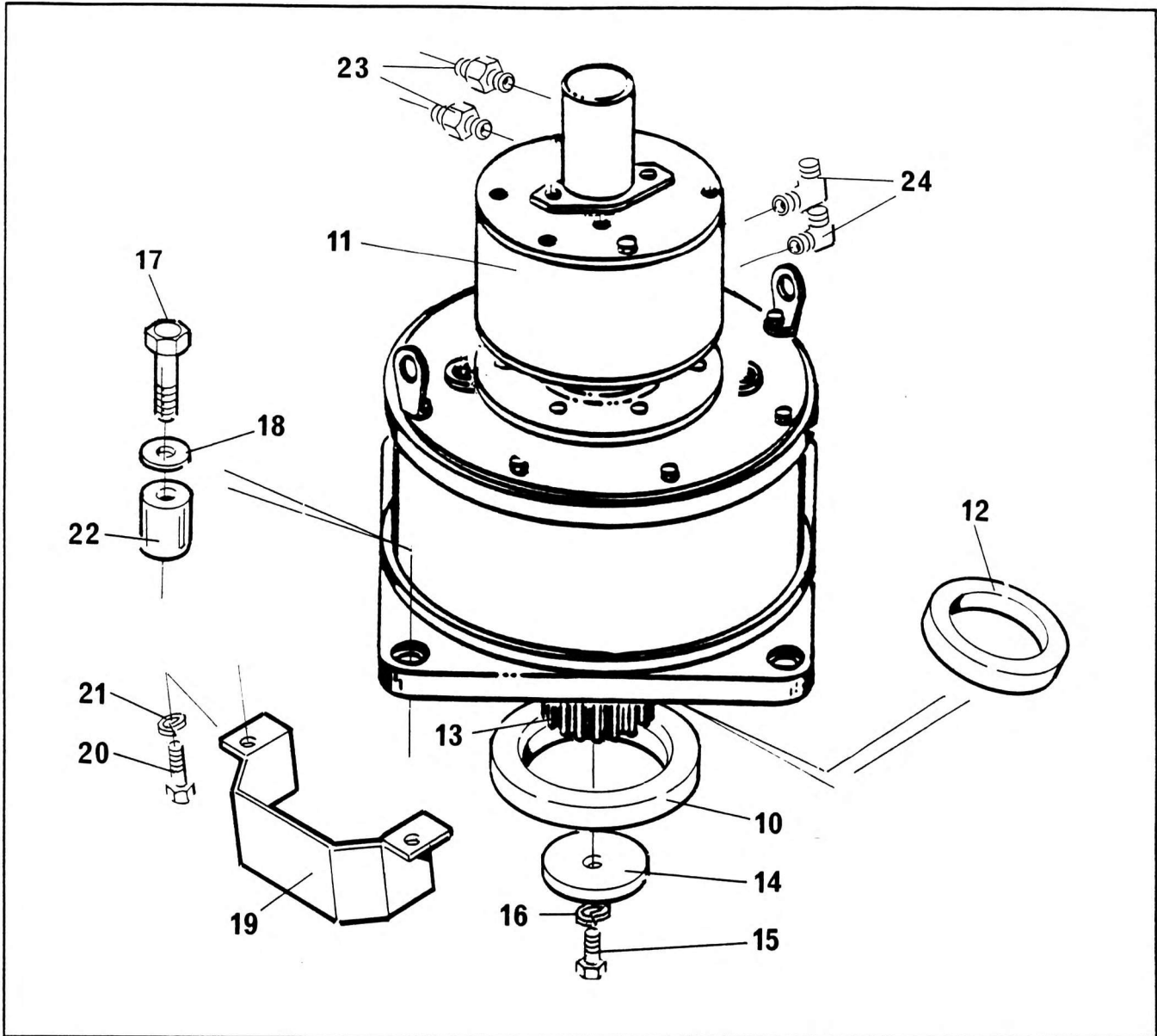


SWING DRIVE INSTALL



NO.	PART NO.	QTY.	DESCRIPTION	NO.	PART NO.	QTY.	DESCRIPTION
10	6-753-990055	1	Ring Eccentric				
11	See Page 3	1	Swing Box Assy				
12	6-910-990913	1	Spacer				
13	6-490-000084	1	Pinion				
14	4-158-200057	1	End Cap				
15	7-115-181450	1	Bolt Hex Head				
16	7-950-180020	1	Spring Washer ½" Dia.				
17	7-126-262750	4	Bolt M18 x 11 Long				
18	7-949-990204	4	Washer M18				
19	6-920-990214	1	Pinion Guard				
20	7-112-160650	2	Hex Head Cap Screw				
21	7-950-160050	2	Washer Spring Lock				
22	6-910-990956	4	Tube				
23	7-447-120828	2	Adaptor				
24	7-447-040403	2	Elbow 90°				